



P150-2



Image for illustration purposes only.

Generating Set Model

Generating Set Model	Prime*	Standby*
380-415V,50Hz	135.0 kVA / 108.0 kW - / -	150.0 kVA / 120.0 kW - / -

Ratings at 0.8 power factor.

Prime Rating

These ratings are applicable for supplying continuous electrical power (at variable load) in lieu of commercially purchased power. There is no limitation to the annual hours of operation and this model can supply 10% overload power for 1 hour in 12 hours.

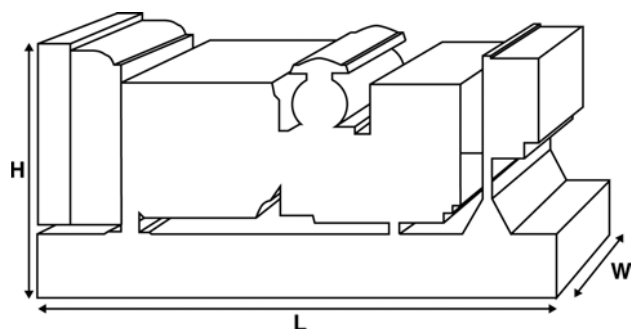
Standby Rating

These ratings are applicable for supplying continuous electrical power (at variable load) in the event of a utility power failure. No overload is permitted on these ratings. The alternator on this model is peak continuous rated (as defined in ISO 8528-3).

Standard Reference Conditions

Note: Standard reference conditions 25°C (77°F) Air Inlet Temp, 100m (328 ft) A.S.L. 30% relative humidity.

Fuel consumption data at full load with diesel fuel with specific gravity of 0.85 and conforming to BS2869: 1998, Class A2.



Ratings and Performance Data

Engine Make & Model: Perkins 1106C-E66TAG2

Alternator manufactured for FG Wilson by: Leroy Somer

Alternator Model: LL3014F

Control Panel: PowerWizard 1.1

Base Frame: Fbc2 - (08Hr)

Circuit Breaker Type: 3 Pole MCCB

Frequency: 50 Hz 60 Hz

Engine Speed: RPM 1500 -

Fuel Tank Capacity: litres (US gal) 349 (92.2)

Fuel Consumption: l/hr (US gal/hr)

(100% Load)	Prime	30.7 (8.1)	-
	Standby	33.2 (8.8)	-

Available Options

- CE Certification
- Sound Attenuated EC Enclosures
- Control Panel Upgrades
- Range of Silencers
- Range of Alarms and Shutdowns

Dimensions and Weights

Length (L) mm (in)	Width (W) mm (in)	Height (H) mm (in)	Dry kg (lb)	Wet kg (lb)
2500 (98.4)	1120 (44.1)	1528 (60.2)	1659 (3657)	1680 (3704)

Dry = With Lube Oil Wet = With Lube Oil and Coolant

Ratings in accordance with ISO 8528, ISO 3046, IEC 60034, BS5000 and NEMA MG-1/22. Generating set pictured may include optional accessories.

Engine Technical Data		
No. of Cylinders / Alignment:	6 / In Line	
Cycle:	4 Stroke	
Bore / Stroke: mm (in)	105.0 (4.1)/127.0 (5.0)	
Induction:	Turbocharged	
Cooling Method:	Water	
Governing Type:	Electronic	
Governing Class:	ISO 8528 G2	
Compression Ratio:	16.2:1	
Displacement: l (cu. in)	6.6 (402.8)	
Moment of Inertia: kg m ² (lb/in ²)	1.61 (5502)	
Engine Electrical System:		
- Voltage / Ground	12/Negative	
- Battery Charger Amps	100	
Weight: kg (lb)	- Dry	788 (1737)
	- Wet	822 (1812)

Performance	50 Hz	60 Hz
Engine Speed: rpm	1500	-
Gross Engine Power: kW (hp)	- Prime	121.6 (163.0)
	- Standby	137.4 (184.0)
BMEP: kPa (psi)	- Prime	1474.0 (213.8)
	- Standby	1666.0 (241.6)

Fuel System					
Fuel Filter Type:	Replaceable Element				
Recommended Fuel:	Class A2 Diesel				
Fuel Consumption: l/hr (US gal/hr)					
	110%	100%	75%	50%	
Prime	Load	Load	Load	Load	
50 Hz	33.2 (8.8)	30.7 (8.1)	24.2 (6.4)	16.7 (4.4)	
60 Hz	-	-	-	-	
	110%	100%	75%	50%	
Standby	Load	Load	Load	Load	
50 Hz		33.2 (8.8)	26.4 (7.0)	18.5 (4.9)	
60 Hz		-	-	-	

(Based on diesel fuel with a specific gravity of 0.84 and conforming to BS2869, Class A2)

Air Systems	50 Hz	60 Hz
Air Filter Type:	Paper Element	
Combustion Air Flow: m ³ /min (cfm)		
- Prime	8.9 (314)	-
- Standby	9.4 (332)	-
Max. Combustion Air Intake Restriction: kPa (in H ₂ O)	8.0 (32.1)	-

Cooling System	50 Hz	60 Hz
Cooling System Capacity: l (US gal)	21.0 (5.5)	-
Water Pump Type:	Centrifugal	
Heat Rejected to Water & Lube Oil:		
kW (Btu/min)	- Prime	62.8 (3571)
	- Standby	66.5 (3782)
Heat Radiation to Room: Heat radiated from engine and alternator		
kW (Btu/min)	- Prime	9.7 (552)
	- Standby	10.4 (591)
Radiator Fan Load: kW (hp)	4.5 (6.0)	-
Radiator Cooling Airflow: m ³ /min (cfm)	241.2 (8518)	-
External Restriction to Cooling Airflow: Pa (in H ₂ O)	120 (0.5)	-

Cooling system designed to operate in ambient conditions up to 50°C (122°F). Contact your local FG Wilson Dealer for power ratings at specific site conditions.

Lubrication System	
Oil Filter Type:	Spin-On, Full Flow
Total Oil Capacity: l (US gal)	16.5 (4.4)
Oil Pan: l (US gal)	15.5 (4.1)
Oil Type:	API CH4 / CI4 15W-40
Oil Cooling Method:	Water

Exhaust System	50 Hz	60 Hz
Silencer Type:	Industrial	
Silencer Model & Quantity:	SD100 (1)	
Pressure Drop Across Silencer System: kPa (in Hg)		
	0.45 (0.133)	-
Silencer Noise Reduction Level: dB	19	-
Maximum Allowable Back Pressure: kPa (in Hg)		
	10.0 (3.0)	-
Exhaust Gas Flow: m ³ /min (cfm)		
- Prime	23.1 (816)	-
- Standby	24.4 (862)	-
Exhaust Gas Temperature: °C (°F)		
- Prime	430 (806)	-
- Standby	441 (826)	-

General Information

Documentation

A full set of operation and maintenance manuals and circuit wiring diagrams.

Generating Set Standards

The equipment meets the following standards: BS5000, ISO 8528, ISO 3046, IEC 60034, NEMA MG-1.22.

FG Wilson is a fully accredited ISO 9001 company.

EU Stage II Emissions Compliant.

Warranty

All prime equipment carries a one year manufacturer's warranty. Standby equipment, limited to 500 running hours per year, has a two year manufacturer's warranty. For details on warranty cover please contact your local Dealer, or visit our website: FGWilson.com.

Dealer contact details: