



**adeltd.co.uk**  
**P88-3**



Image for illustration purposes only.

### Output Ratings

Voltage, Frequency	Prime	Standby
400V, 50 Hz	80.0 kVA / 64.0 kW	88.0 kVA / 70.4 kW
480V, 60 Hz	90.0 kVA / 72.0 kW	100.0 kVA / 80.0 kW

Ratings at 0.8 power factor.

Please refer to the output ratings technical data section for specific generator set outputs per voltage.

### Prime Rating

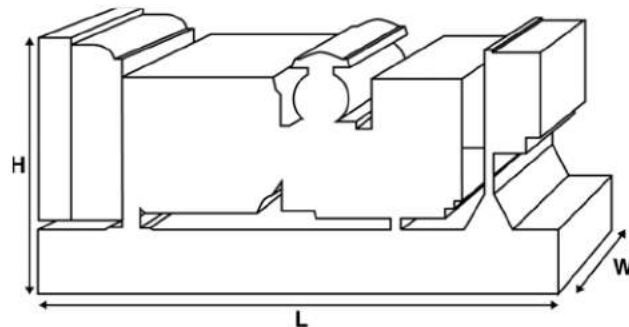
These ratings are applicable for supplying continuous electrical power (at variable load) in lieu of commercially purchased power. There is no limitation to the annual hours of operation and this model can supply 10% overload power for 1 hour in 12 hours.

### Standby Rating

These ratings are applicable for supplying continuous electrical power (at variable load) in the event of a utility power failure. No overload is permitted on these ratings. The alternator on this model is peak continuous rated (as defined in ISO 8528-3).

### Standard Reference Conditions

Note: Standard reference conditions 25°C (77°F) Air Inlet Temp, 100m (328 ft) A.S.L. 30% relative humidity.  
Fuel consumption data at full load with diesel fuel with specific gravity of 0.85 and conforming to BS2869: 1998, Class A2.



### Ratings and Performance Data

<b>Engine Make &amp; Model:</b>	Perkins® 1104A-44TG2	
<b>Alternator manufactured for FG Wilson by:</b>	Marelli	
<b>Alternator Model:</b>	MJB 200 LA4	
<b>Control Panel:</b>	DCP-10	
<b>Base Frame:</b>	Heavy Duty Fabricated Steel	
<b>Circuit Breaker Type:</b>	3 Pole MCCB	
<b>Frequency:</b>	<b>50 Hz</b>	<b>60 Hz</b>
<b>Engine Speed: RPM</b>	1500	1800
<b>Fuel Tank Capacity:</b> litres (US gal)	180 (47.6)	
<b>Fuel Consumption:</b> l/hr (US gal/hr) (100% Load)	- Prime	18.2 (4.8)    21,0 (5,5)
	- Standby	20.1 (5.3)    23,2 (6,1)

### Available Options

FG Wilson offer a range of optional features to tailor our generator sets to meet your power needs. Options include:

- Upgrade to CE Certification
- A wide range of Sound Attenuated Enclosures
- A variety of generator set control and synchronising panels
- Additional alarms and shutdowns
- A selection of exhaust silencer noise levels

For further information on all of the standard and optional features accompanying this product please contact your local Dealer or visit: [www.FGWilson.com](http://www.FGWilson.com)

### Dimensions and Weights

Length (L) mm (in)	Width (W) mm (in)	Height (H) mm (in)	Dry kg (lb)	Wet kg (lb)
1870 (73.6)	840 (33.1)	1333 (52.5)	989 (2180)	1002 (2209)
Dry = With Lube Oil		Wet = With Lube Oil and Coolant		

Ratings in accordance with ISO 8528, ISO 3046, IEC 60034, BS5000 and NEMA MG-1.22.  
Generator set pictured may include optional accessories.

Engine Technical Data	
No. of Cylinders / Alignment:	4 / In Line
Cycle:	4 Stroke
Bore / Stroke: mm (in)	105.0 (4.1)/127.0 (5.0)
Induction:	Turbocharged
Cooling Method:	Water
Governing Type:	Mechanical
Governing Class:	ISO 8528 G2
Compression Ratio:	17.25:1
Displacement: l (cu. in)	4.4 (268.5)
Moment of Inertia: kg m <sup>2</sup> (lb/in <sup>2</sup> )	1.14 (3896)
Engine Electrical System:	
- Voltage / Ground	12/Negative
- Battery Charger Amps	65
Weight: kg (lb)	
- Dry	463 (1021)
- Wet	485 (1069)

Performance	50 Hz	60 Hz
Engine Speed: rpm	1500	1800
Gross Engine Power: kW (hp)		
- Prime	73.4 (98.0)	84.5 (113.0)
- Standby	80.7 (108.0)	93.0 (125.0)
BMEP: kPa (psi)		
- Prime	1335.0 (193.6)	1280.0 (185.7)
- Standby	1468.0 (212.9)	1409.0 (204.4)

Fuel System	
Fuel Filter Type:	Replaceable Element
Recommended Fuel:	Class A2 Diesel or BSEN590

Fuel Consumption: l/hr (US gal/hr)				
	110%	100%	75%	50%
	Prime	Load	Load	Load
50 Hz	20.1 (5.3)	18.2 (4.8)	13.6 (3.6)	9.5 (2.5)
60 Hz	23.2 (6.1)	21.0 (5.5)	16.0 (4.2)	11.4 (3.0)

	100%	75%	50%
	Standby	Load	Load
50 Hz		20.1 (5.3)	14.9 (3.9)
60 Hz		23.9 (6.1)	17.4 (4.6)

(Based on diesel fuel with a specific gravity of 0.85 and conforming to BS2869, Class A2)

Air Systems	50 Hz	60 Hz
Air Filter Type:	Replaceable Element	
Combustion Air Flow: m <sup>3</sup> /min (cfm)		
- Prime	4.8 (170)	6.2 (219)
- Standby	5.1 (180)	6.5 (230)
Max. Combustion Air Intake Restriction: kPa (in H <sub>2</sub> O)	8.0 (32.1)	8.0 (32.1)

Cooling System	50 Hz	60 Hz
Cooling System Capacity: l (US gal)	13.0 (3.4)	13.0 (3.4)
Water Pump Type: Centrifugal		
Heat Rejected to Water & Lube Oil:		
kW (Btu/min)		
- Prime	46.0 (2616)	53.0 (3014)
- Standby	51.0 (2900)	57.0 (3242)
Heat Radiation to Room: Heat radiated from engine and alternator		
kW (Btu/min)		
- Prime	19.6 (1115)	21.7 (1234)
- Standby	21.6 (1228)	24.0 (1365)
Radiator Fan Load: kW (hp)	1.0 (1.3)	1.7 (2.3)
Radiator Cooling Airflow: m <sup>3</sup> /min (cfm)	121.2 (4280)	140.4 (4958)
External Restriction to Cooling Airflow: Pa (in H <sub>2</sub> O)	120 (0.5)	120 (0.5)

Designed to operate in ambient conditions up to 50°C (122°F). Contact your local FG Wilson Dealer for power ratings at specific site conditions.

Lubrication System	
Oil Filter Type:	Spin-On, Full Flow
Total Oil Capacity: l (US gal)	8.0 (2.1)
Oil Pan: l (US gal)	7.0 (1.8)
Oil Type:	API CG4 / CH4 15W-40
Oil Cooling Method:	Water

Exhaust System	50 Hz	60 Hz
Maximum Allowable Back Pressure: kPa (in Hg)	10.0 (3.0)	15.0 (4.4)
Exhaust Gas Flow: m <sup>3</sup> /min (cfm)		
- Prime	12.5 (441)	15.0 (530)
- Standby	13.3 (470)	15.9 (560)
Exhaust Gas Temperature: °C (°F)		
- Prime	555 (1031)	535 (995)
- Standby	580 (1076)	560 (1040)

### Alternator Physical Data

Manufactured for FG Wilson by:	Marelli
Model:	MJB 200 LA4
No. of Bearings:	1
Insulation Class:	H
Winding Pitch Code:	2/3 - 6
Wires:	12
Ingress Protection Rating:	IP23
Excitation System:	SHUNT
AVR Model:	Mark V

### Alternator Operating Data

Overspeed: rpm	2250
Voltage Regulation: (Steady state)	+/- 0.5%
Wave Form NEMA = TIF:	50
Wave Form IEC = THF:	2.0%
Total Harmonic content LL/LN:	2.0%
Radio Interference:	Suppression is in line with European Standard EN55011
Radiant Heat: kW (Btu/min)	
- 50 Hz	7.6 (432)
- 60 Hz	9.0 (512)

### Alternator Performance Data:

Data Item	50 Hz				60 Hz			
	415/240V	400/230V 230/115V 200/115V	380/220V 220/110V	220/127V	480/277V 240/139V	380/220V 220/110V	240/120V 208/120V	440/254V 220/127V
Motor Starting Capability* kVA	125	116	105	140	139	87	105	117
Short Circuit Capacity %								
Reactances: Per Unit								
Xd	2.880	3.100	3.430	2.560	2.910	3.100	3.780	3.380
X'd	0.240	0.260	0.290	0.214	0.240	0.350	0.320	0.280
X''d	0.092	0.099	0.110	0.082	0.093	0.135	0.121	0.108

Reactances shown are applicable to prime ratings.

\*Based on 30% voltage dip at 0.0 power factor.

### Output Ratings Technical Data 50 Hz

Voltage	Prime:		Standby:	
	kVA	kW	kVA	kW
415/240V	80.0	64.0	88.0	70.4
400/230V	80.0	64.0	88.0	70.4
380/220V	80.0	64.0	88.0	70.4
230/115V	80.0	64.0	88.0	70.4
220/127V	80.0	64.0	86.0	68.8
220/110V	80.0	64.0	88.0	70.4
200/115V	80.0	64.0	88.0	70.4

### Output Ratings Technical Data 60 Hz

Voltage	Prime:		Standby:	
	kVA	kW	kVA	kW
480/277V	90.0	72.0	100.0	80.0
220/127V	88.0	70.4	96.8	77.4
380/220V	82.0	65.6	90.2	72.2
240/120V	88.0	70.4	96.8	77.4
440/254V	88.0	70.4	96.8	77.4
220/110V	82.0	65.6	90.2	72.2
208/120V	88.0	70.4	96.8	77.4
240/139V	90.0	72.0	100.0	80.0

**Documentation**

A full set of operation and maintenance manuals and circuit wiring diagrams.

**Generator Set Standards**

The equipment meets the following standards: BS5000, ISO 8528, ISO 3046, IEC 60034, NEMA MG-1.22.

FG Wilson is a fully accredited ISO 9001 company.

**Warranty**

All prime equipment carries a one year manufacturer's warranty. Standby equipment, limited to 500 running hours per year, has a two year manufacturer's warranty. For details on warranty cover please contact your local Dealer, or visit our website: [FGWilson.com](http://FGWilson.com).

**Dealer contact details:**